

## 7060

Reframe | Spare toilet paper holder

Spare toilet paper holder Brushed steel

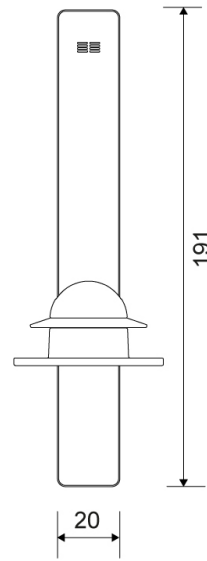
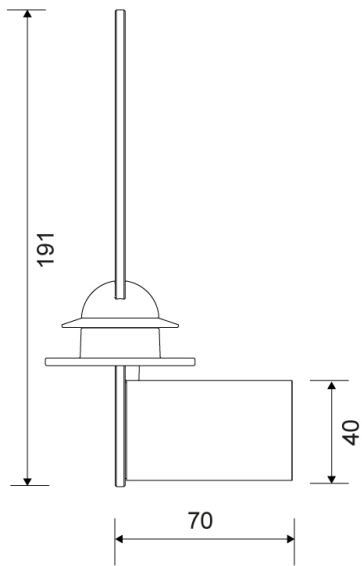
The extra holder has a separate rubber element which adjusts to the inside diameter of the roll so the roll does not slip to the side but always stays centred.

The pack contains fittings, screws and an Unbraco key for assembly.



### Specifications

ITEM NUMBER	GTIN NUMBER	WEIGHT
7060	5707692010724	400 g
MATERIAL	SURFACE	HEIGHT
Stainless steel (AISI 304)	Brushed steel	191 mm
DEPTH	DIAMETER	WIDTH
70 mm	60 mm	20 mm



**7060**

Products